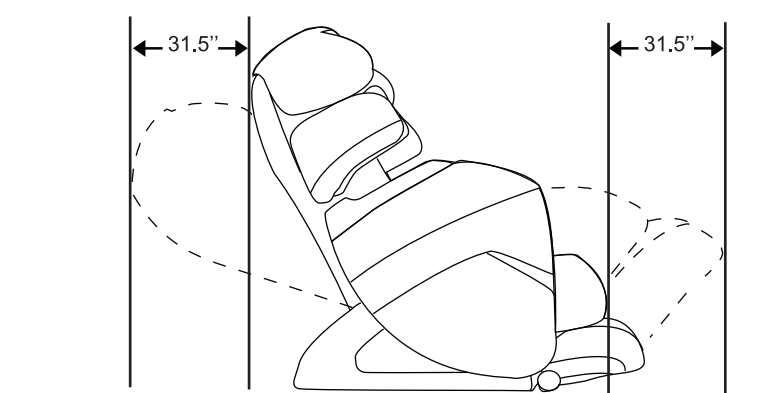


Chair Installation Guide

Model: OS Pro 3D Cyber



- When positioning the chair, please leave 31.5" of space behind the backrest to allow free reclining of the backrest.
- DO NOT connect to power when installing the chair.

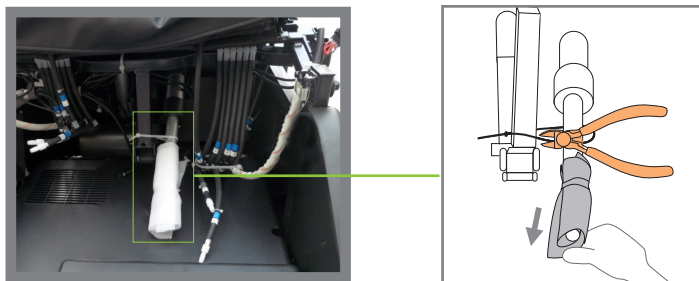


Step 1: Remove the following contents from two cartons:

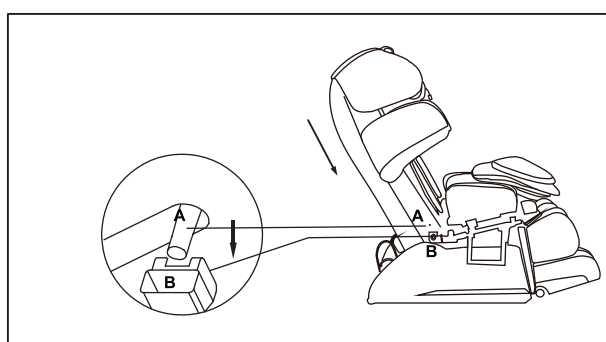
- The chair base
- The side panels & Backrest

Step2: Install the Backrest

- Use the diagonal pliers to cut off the cable tie which binds the stopper of backrest, and unwrap the packing material of backrest actuator underneath the seat pad.



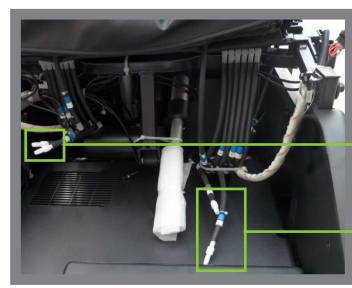
- Put the backrest pad onto the seat pad to reserve space for backrest installation.
- Lift the backrest and insert Part A into Part B as shown in picture.



Note:

2 persons are required to attach the backrest to the chair base, please don't attempt to do this step by yourself only.

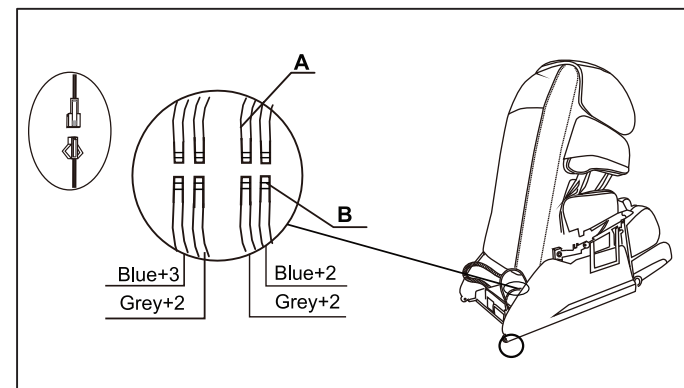
- Turn on the backrest to front, it will help expose all the air tubes out from backrest, named Group A, and remove 4 spare white plastic stoppers from each air tube.



4 spare white plastic stoppers on air tubes

- Connect well air tubes "A" with corresponding air tubes "B" (out from PCB box) as shown in picture. Then put all connected air hoses inside to avoid damage when backrest reclining.

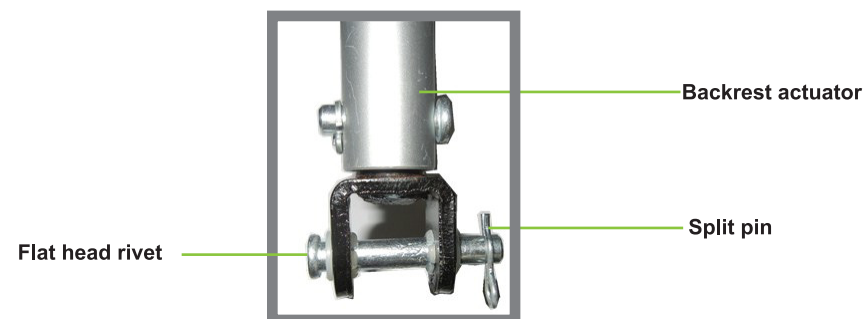
- Connect two heating function terminals from backrest and PCB box.



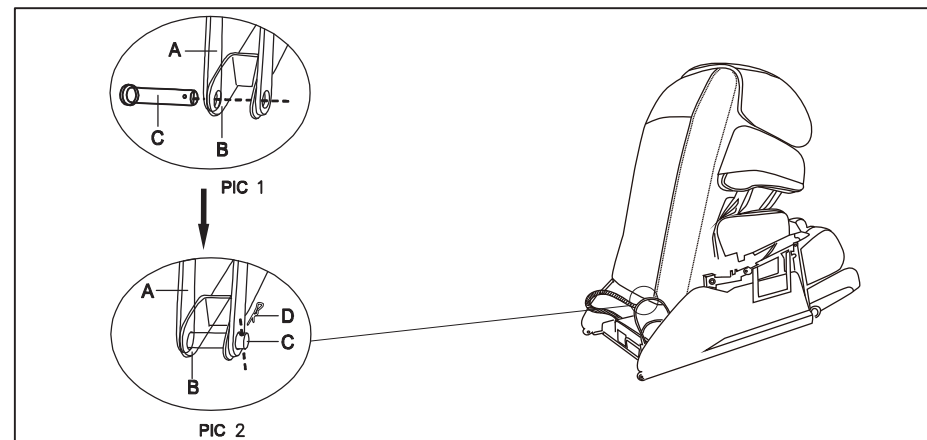
Note:

Please make sure above connections is well done before turning on the chair.

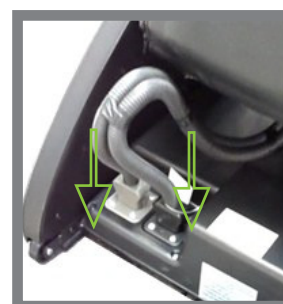
- Take off the spindle (flat head rivet) and bolt (split pin) from backrest actuator and put them on the ground.



- Attach the connection rod (A) on the backrest and the "U" shape fork (B) of actuator from chair base with flat head rivet (C), and then lock the rivet with split pin(D) as showed in PIC 1 and PIC2.



- Connect 2 data plugs out from backrest into the corresponding sockets in the PCB box as shown in below picture.



CAUTION: Insert black to black, and grey to grey, otherwise will cause damage.

- Turn the backrest to back until a "click" sound is heard.

Step3: Install the side panels



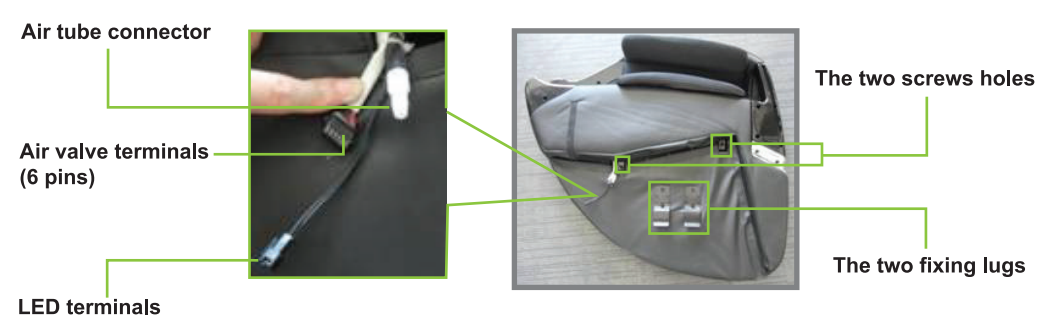
Please strictly refer to the steps to install the side panes.

Please always bear in mind to fix the side panels to the chair without backrest, meanwhile, lifting up the seat pad for easier to tighten the screws.

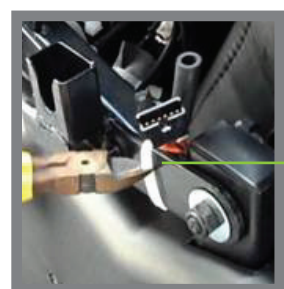
Once you fix one of the side panels, please don't tighten the two screws immediately until you make sure the two screws are perfectly fixed to each holes.

Please fix the back screw prior to the front screw while you assemble one of the side panels.

- 1) Take out one side panel from the carton, then you can find two screw holes and two fixing lug on each side panel.



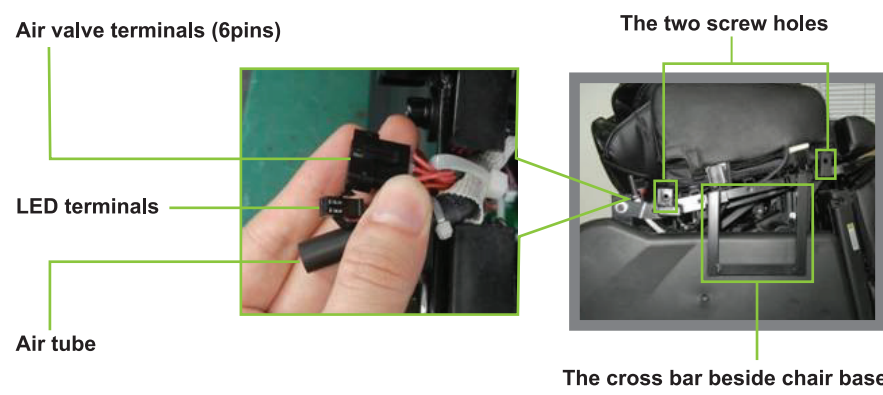
- 2) Cut off the cable tie which binds the 3 terminals on chair base as shown in pictures.



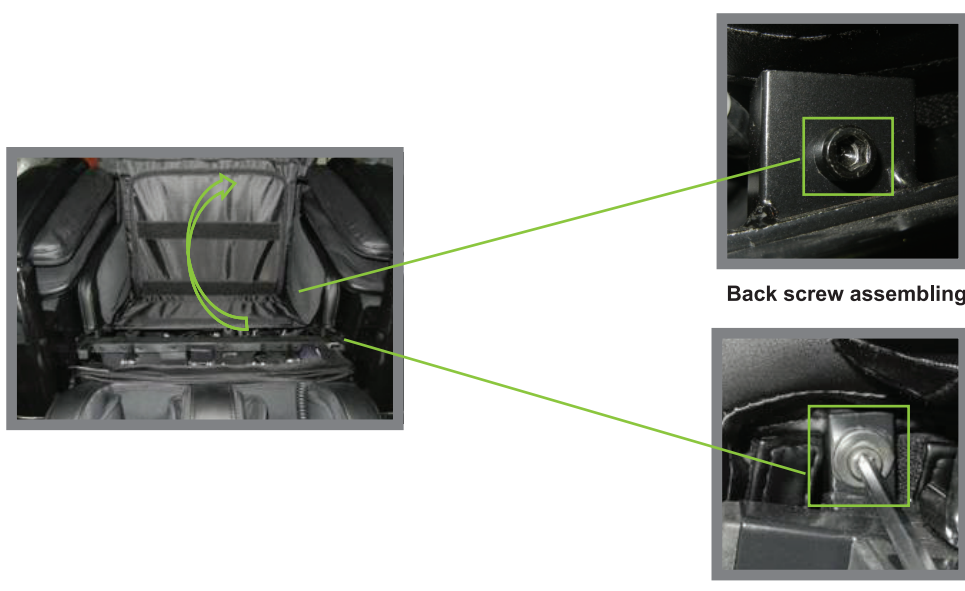
Cut off the cable tie which binds the 3 terminals on chair base

- 3) Insert the side panels to the chair at 90 degrees with the two fixing lugs into the cross bar completely.

Meanwhile, connect the 3 terminals-Air tube, LED & air valve as shown in pictures from chair base and side panel.



- 4) Open the zipper between seat pad and footrest, and lift up the seat pad, you can find two screw holes in chair base as shown on above pictures



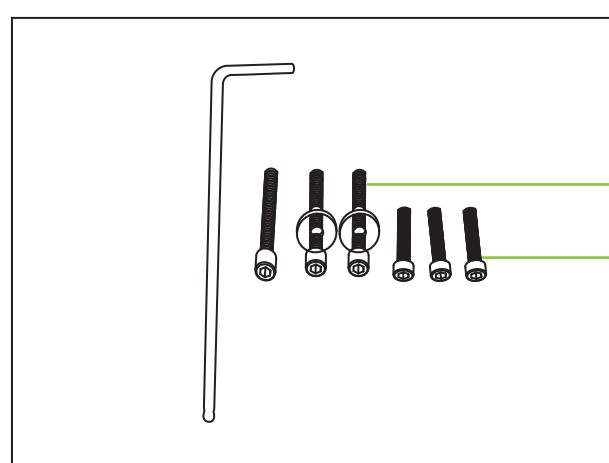
Back screw assembling

Front screw assembling

- 5) Attach two pair of screw holes between side panel and chair base by 2 screw bolts with inner hexagonal wrench.

Note:

The longer screw bolt is used for front holes, and the shorter one is used for back holes.



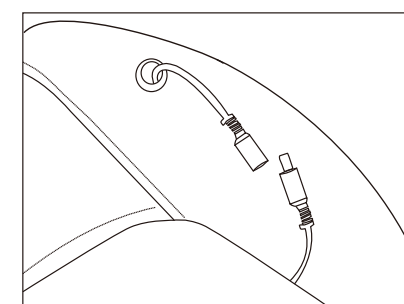
The longer screw bolt for front holes
The shorter screw bolt for back holes

Repeat above 1)-5)steps to install the other side panel.

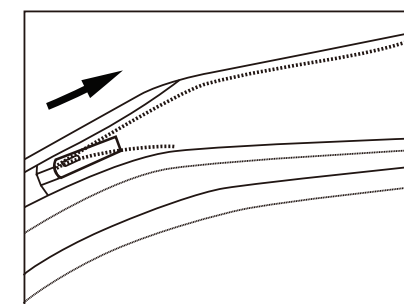
- 6) Put down the seat pad and close the zipper with cable tie attached, and then remove the cable tie.

Step4: Attach the backrest pad

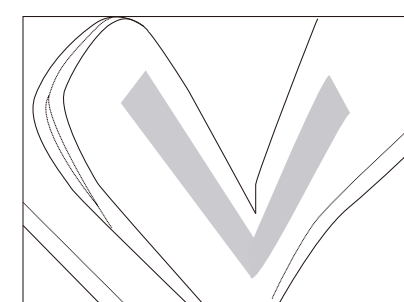
- Attach the 2 heating terminals-one from backrest upside, the other one from back of backrest pad upside.



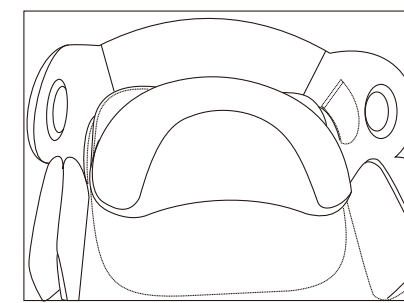
- Attach backrest pad to backrest on top with zipper.



- Adjust the 4 velcros behind the backrest pad one by one.



- Adjust the velcro behind the pillow pad in the right place.



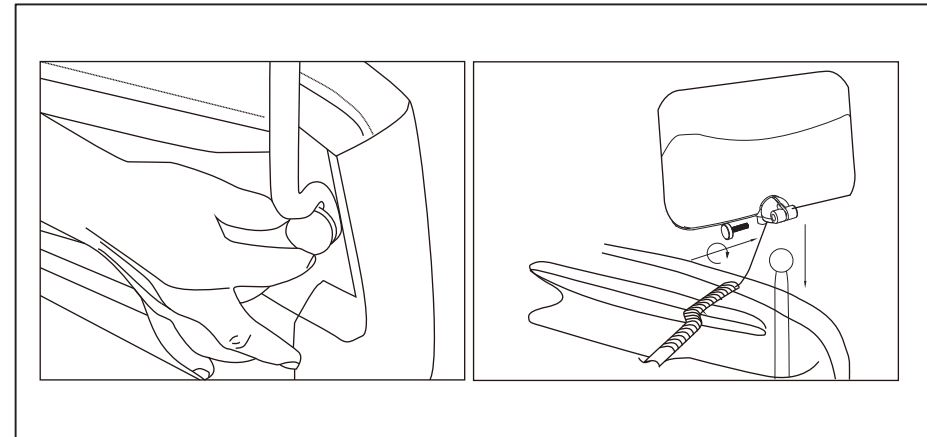
Note:

Remove the pillow for a deeper massage on neck if you need.

Step5: Install remote controller holder

- Unscrew the nut cap spared in armrest, and then fix the controller holder by this nut cap.

- Put the remote controller onto the holder and fix with screw.



Step6: Connect the Power Cord.

