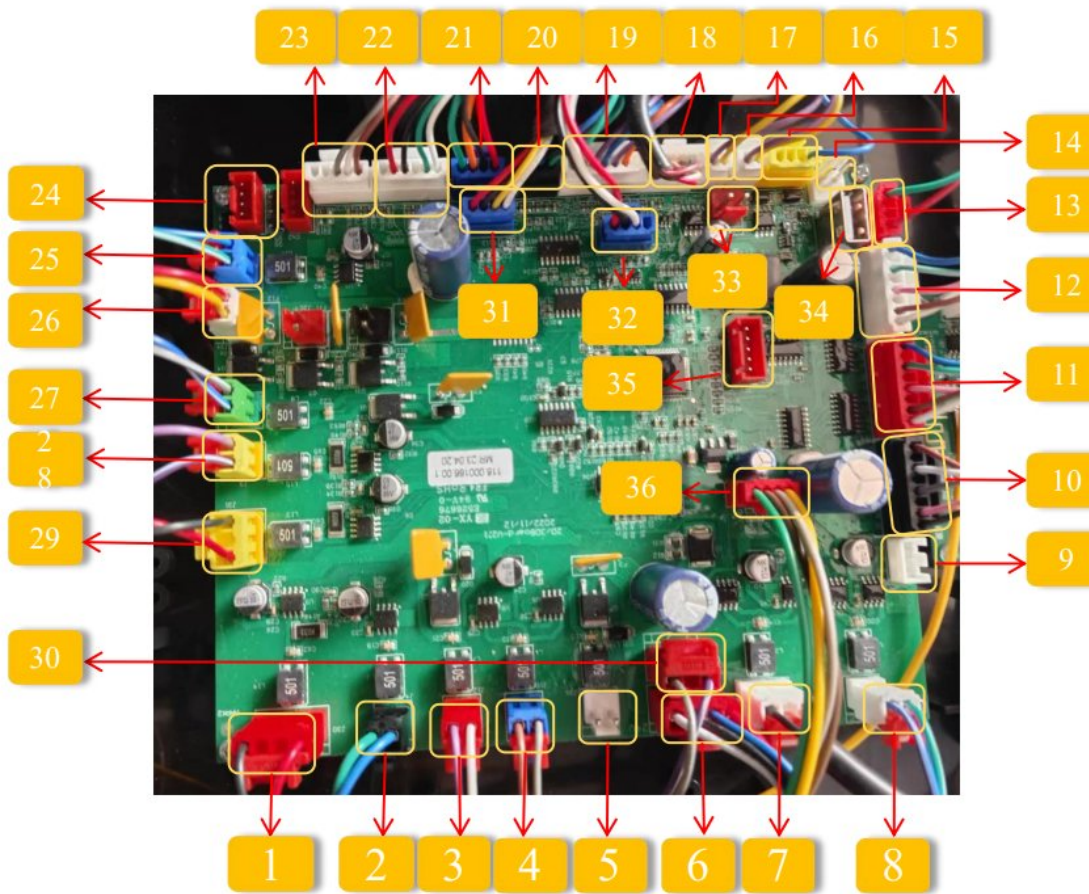


2.2.1、 Internal Parts Diagram

PCB



No.	Port Function	No.	Port Function	No.	Port Function
1	Leg Extension Actuator	13	Phone Charging	25	Foot Lift Motor
2	Mechanism Travel Motor	14	12V Reserved (Bluetooth not controlled)	26	Calf Roller Motor
3	Mechanism Tapping Motor	15	Negative Ion Fan	27	Thigh Roller Motor
4	Mechanism Kneading Motor	16	LED Light 12V	28	Foot Lift Motor
5	Foot Vibration Motor	17	LED Light 12V	29	Back Push Rod
6	24V Input Power Supply	18	Hand Controller	30	Wireless Charging
7	24V Air Pump	19	Mechanism Width/Back Position Signal, Kneading & Travel Step Count	31	Shortcut Keys
8	3D Mechanism Motor	20	Upper/Lower Limit	32	Bluetooth
9	220V Air Pump Control	21	Heart Rate Detection	33	12V Output
10	Leg Solenoid Valve	22	Foot Signal & Anti-Pinch Signal	34	USB Power Supply
11	Left Armrest Solenoid Valve	23	3D Mechanism Signal	35	Program Download Port
12	Right Armrest Solenoid Valve	24	RGB Color Light Control	36	5V Input Power Supply