

*Osaki*



*Osaki*

***User & Maintenance Manual***

Sonno XT-2 Leather GravZero Recliner



***Sonno***  
*xt-2 leather*  
RECLINER

Thank you for purchasing the Sonno XT-2 Leather GravZero Recliner. Before using your chair, please take some time to read the contents of this instruction manual for greater user experience. Please continue to use this manual as a reference guide.

## Sonno XT-2 Leather

GravZero Recliner

### TABLE OF CONTENTS

Safety Instructions .....	01–02
Chair Components .....	03
Chair Specifications .....	04
Chair Dimensions .....	05
Placing The Chair .....	06
Preparations Prior to Use .....	08
Operation Guides .....	09–11
Maintenance Procedure .....	12
Troubleshooting .....	13

## IMPORTANT SAFETY INSTRUCTIONS

When using an electrical appliance, basic precautions should always be followed, including the following: Read all instructions before using (this appliance).

**DANGER**—To reduce the risk of electric shock:

- Always unplug this appliance from the electrical outlet immediately after using and before cleaning.
- Never use pins or other metallic fasteners with this appliance.
- Carefully examine the covering before each use. Discard the appliance if the covering shows any sign of deterioration, such as checking, blistering, or cracking.
- Keep Dry—Do not operate in a wet or moist condition.

**WARNING**—To reduce the risks of burns, fire, electric shock or injury to persons:

- An appliance should never be left unattended when plugged in. Unplug from outlet when not in use, and before putting on or taking off parts.
- Close supervision is necessary when this appliance is used by, on, or near children, invalids, or disabled persons.
- Use this appliance only for its intended use as described in this manual. Do not use attachments not recommended by the manufacturer.
- Never operate this appliance if it has a damaged cord or plug, if it is not working properly, if it has been dropped or damaged, or dropped into water. Return the appliance to a service center for examination and repair.
- Do not carry this appliance by supply cord or use cord as a handle.
- Keep the cord away from heated surfaces.
- Never operate the appliance with the air openings blocked. Keep the air openings free of lint, hair, and the like.
- Never drop or insert any object into any opening.
- Do not use outdoors.
- Do not operate where aerosol (spray) products are being used or where oxygen is being administered.
- To disconnect, turn all controls to the off position, then remove plug from outlet.
- Keep children away from extended foot support.
- Use heated surfaces carefully. May cause serious burns. Do not use over insensitive skin areas or in the presence of poor circulation. The unattended use of heat by children or incapacitated persons may be dangerous.
- Do not operate under blanket or pillow. Excessive heating can occur and cause fire, electric shock, or injury to persons.

## SAVE THESE INSTRUCTIONS

### FCC Warning

This device complies with Part 15 of the FCC Rules. Operation is subject to the following two conditions:

(1) This device may not cause harmful interference, and (2) this device must accept any interference received, including interference that may cause undesired operation.

NOTE 1: This equipment has been tested and found to comply with the limits for a Class B digital device, pursuant to part 15 of the FCC Rules. These limits are designed to provide reasonable protection against harmful interference in a residential installation. This equipment generates, uses and can radiate radio frequency energy and, if not installed and used in accordance with the instructions, may cause harmful interference to radio communications. However, there is no guarantee that interference will not occur in a particular installation. If this equipment does cause harmful interference to radio or television reception, which can be determined by turning the equipment off and on, the user is encouraged to try to correct the interference by one or more of the following measures:

- Reorient or relocate the receiving antenna.
- Increase the separation between the equipment and receiver.
- Connect the equipment into an outlet on a circuit different from that to which the receiver is connected.
- Consult the dealer or an experienced radio/TV technician for help.

NOTE 2: Any changes or modifications to this unit not expressly approved by the party responsible for compliance could void the user's authority to operate the equipment.

### IC WARNING

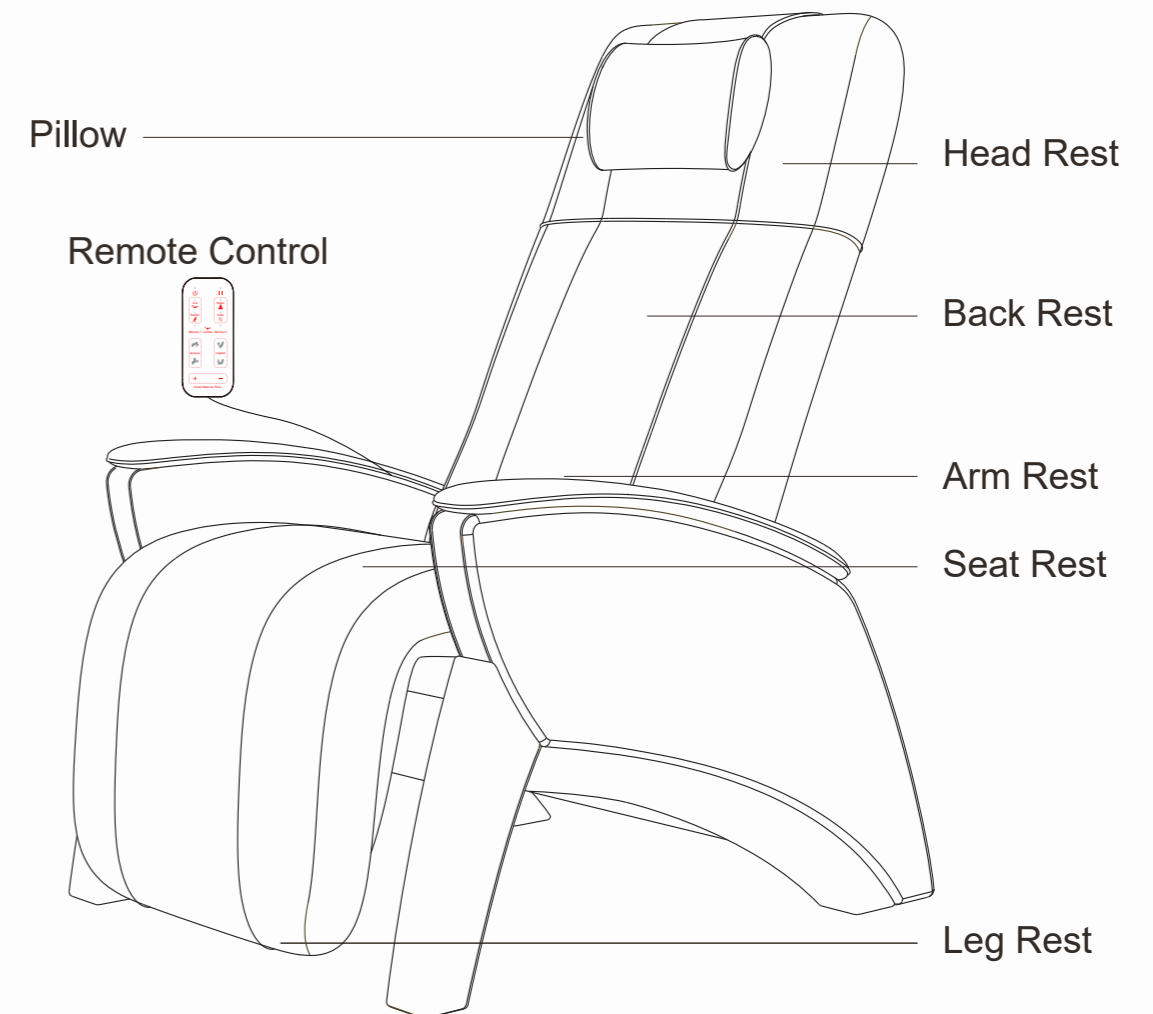
This device complies with Industry Canada's licence-exempt RSSs. Operation is subject to the following two conditions:

- (1) This device may not cause interference; and
- (2) This device must accept any interference, including interference that may cause undesired operation of the device.

Le présent appareil est conforme aux CNR d'Industrie Canada applicables aux appareils radio exempts de licence.

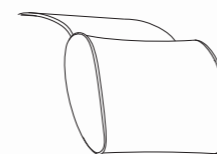
L'exploitation est autorisée aux deux conditions suivantes: (1) l'appareil ne doit pas produire de brouillage, et (2) l'utilisateur de l'appareil doit accepter tout brouillage radio électrique subi, même si le brouillage est susceptible d'en compromettre le fonctionnement.

## CHAIR COMPONENTS

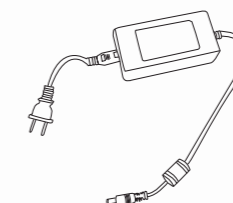


## Check the accessories at first

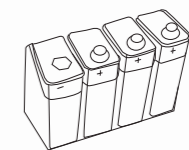
Pillow



Power Adaptor



Battery



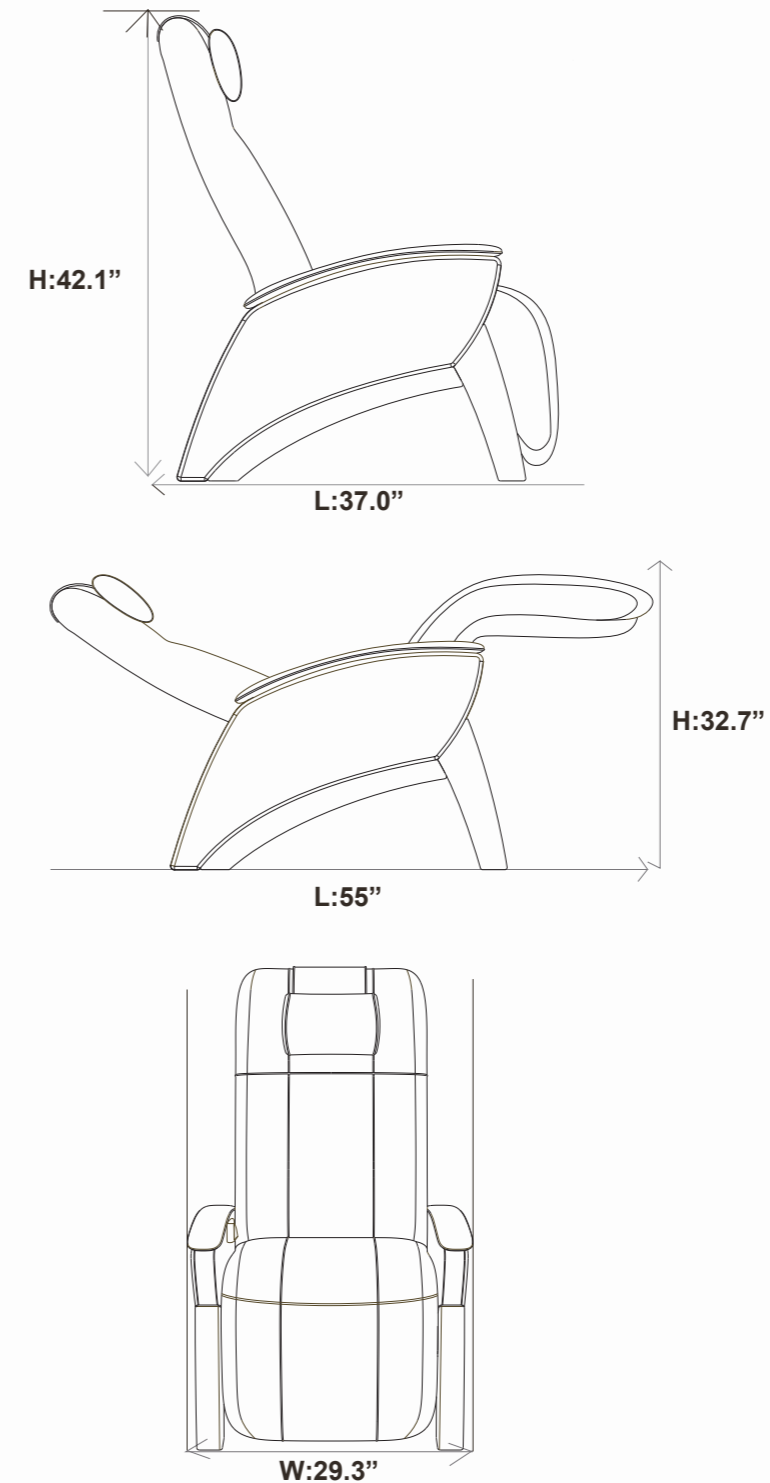


## CHAIR SPECIFICATIONS

Specifications		Description
Model No.		Sonno XT-2 Leather GravZero Recliner
Rated Voltage		Input 110-120V
Rated Frequency		60Hz
Output		29V $\overline{\text{---}}$ 1.4A
Auto Timer		15 minutes
Dimensions (L x W x H)		Packing carton: 45.3" x 33.5" x 25.6"
Weight	Net Weight	110.4 lbs
	Gross Weight	134.9 lbs
Maximum Load Weight		400 lbs
Required Recline Clearance		28"
Usage Condition		Environmental temperature 50°F-104°F Contrasting humidity level 30-85RH
Storage Condition		Storage temperature 68°F-140°F Storage humidity level 30-85RH
Safety Feature		Equipped with overheating and power surge detectors

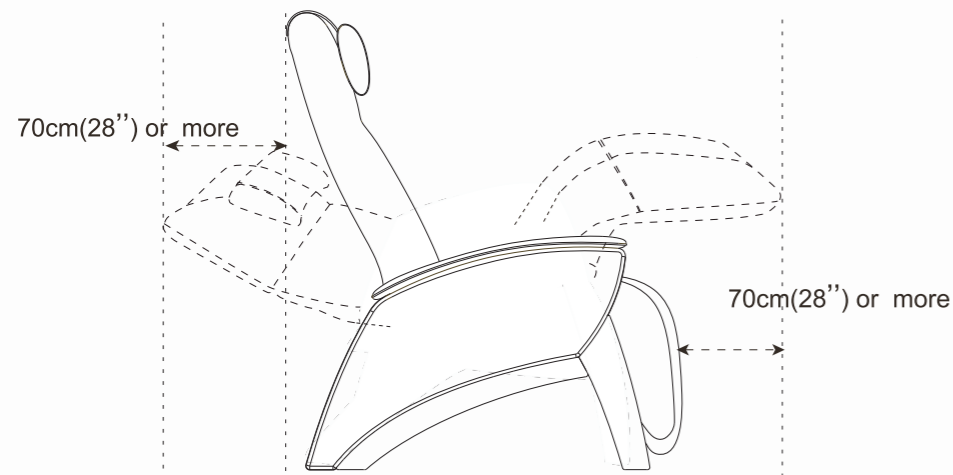
\* Specifications are subject to change without prior notice.

## CHAIR DIMENSIONS



## PLACING THE CHAIR

- After unpacking, place the chair on a level surface.
- Allow a clearance from walls or other objects of at least 70 cms (28 inches) or more at the front and the back of the chair to allow the chair to recline and the footrest to be extended.



### Notes

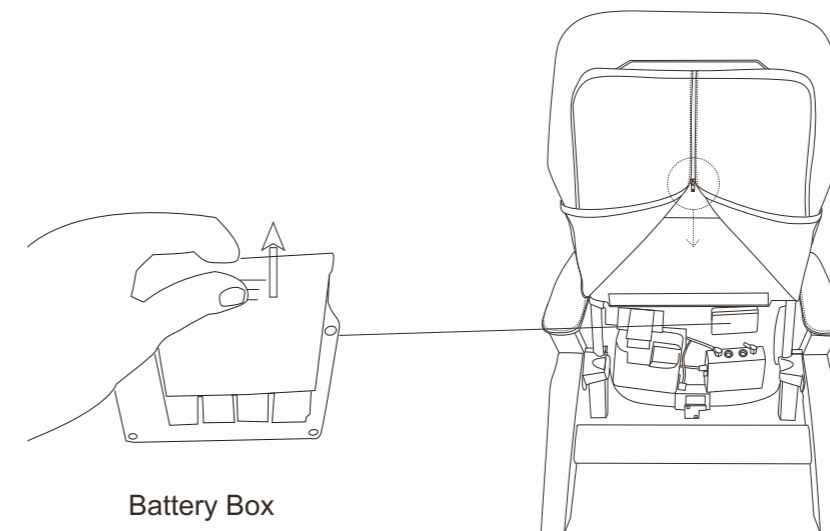
- Keep the chair at least 1 meter (3ft) away from AV machines like a TV or radio.
- Do not keep the chair in a place with high humidity, like the bathroom.
- Do not keep the chair in a place where it will be exposed to direct sunlight for an extended period, or in a place near a heater where the temperature may reach high levels.

## HOW TO INSTALL THE BATTERIES

Your Sonno XT-2 Leather recliner is equipped with a battery backup system that will activate during a power failure. The backup system is powered by four 9V batteries (not included) that need to be installed into the battery box located in the rear back of the chair as pictured below.

### FOLLOW THESE STEPS TO INSTALL THE BATTERIES:

1. Unplug the power cord from the electrical outlet.
2. Open the marked battery door.
3. Install four 9V batteries into the battery box.
4. Close the door of the battery box.



Battery Box

### Notes:

- Always make sure the battery box is equipped with four fresh 9V batteries, since the battery backup system does not recharge itself. Fresh batteries are defined as 9V alkaline batteries that are replaced every time the battery backup system is activated during a power failure, or once a year if the battery backup system has not been activated.
- If you unplug your Sonno XT-2 Leather recliner for an extended period of time (more than one hour), remove the batteries from the battery box. The Sonno XT-2 Leather recliner will draw power from the batteries even when it is not in use.

## PREPARATION PRIOR TO USE

### 1. Check the material on the chair.

Prior to use, be sure to check that the cloth is not torn. If a tear is found, stop using the chair immediately, unplug the power source, and contact customer service. If the chair is used with torn cloth, it may result in injury or electric shock.

### 2. Check the power cord.

Check that there is neither breakage or damage to the power adaptor. Check that the cords are not caught or placed beneath the chair.

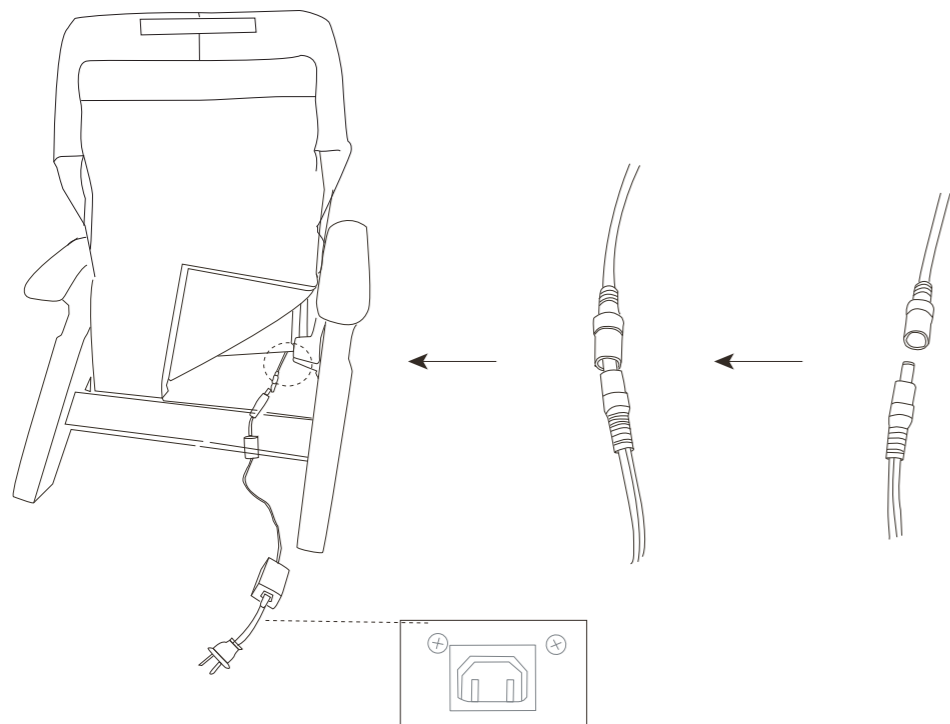
### 3. How to connect the power source.

- 1) Ensure the battery box is placed with four fresh 9V batteries.
- 2) Connect the power adaptor to the chair.
- 3) Insert the power cord into an outlet.

### 4. Important information for attaching the remote control.

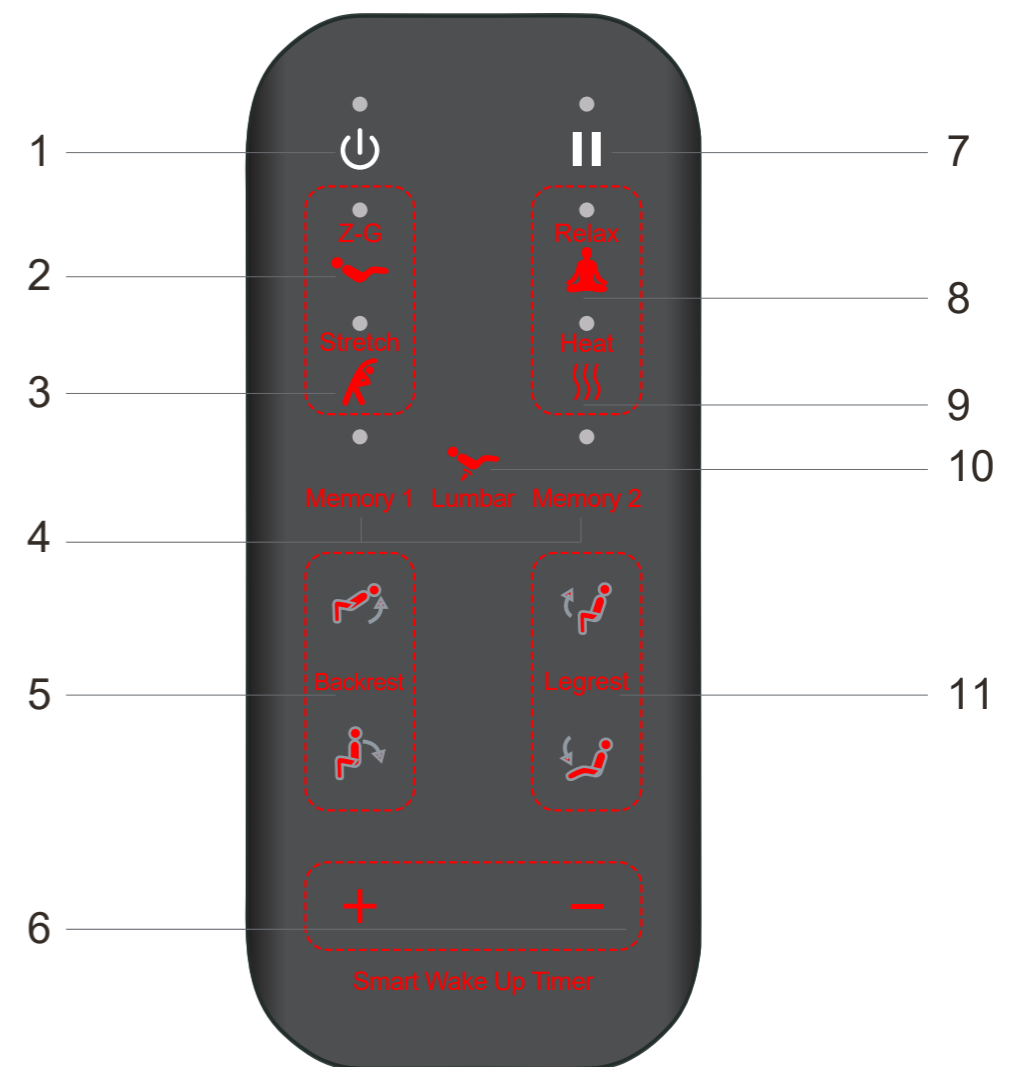
To avoid any chance of damage to the remote control cord, let the cord of the remote run outside of the chair.

DO NOT run the cord between the arm rest and back rest.



## OPERATION GUIDE

### Remote Control



### 1. On/Off button

When pressing the On/Off button, a light will tell you that the chair is in the idle mode and will commence a massage program when you press any other function button. If during a massage function program, should you wish to cancel, please press the On/Off button and the program will cease.

### 2. Z-G

On pressing the Z-G button, the back rest, leg rest, and seat will be automatically adjusted to preset reclining angles.

The reclining motion can be stopped by pressing either the Z-G button, the back rest recline/restore button, or the leg rest raise/restore button.

After achieving the GravZero position position, you may still adjust the angles of the back rest and leg rest by pressing the relevant buttons.

### 3. Stretch

Press the stretch button to activate a slightly harder massage that gives special attention to your spine by slowly stretching it at different points and releasing stress.

**Note:** With the air massage in action, should you wish to change the angle of the back or leg rest, the program will pause and resume automatically once the back or leg rest movement is completed.

### 4. Memory 1 & Memory 2


Press and hold the Memory 1 or Memory 2 for 2 seconds to create a new memory position.

### 5. Back Rest - Recline/Raise

Press and hold this button until the back rest is at your desired angle. The angle of the seat will move automatically to match with the angle of the backrest. Movement can be stopped once you release the button.

When activating the back rest, the chair will not use the leg rest restore/raise action, heat, and air massage functions at the same time.

### 6. Wake up timer

The default massage time is 15minutes, press  to increase/decrease time. Press once to increase/decrease in 1 hour increments. The maximum massage time is 3 hours.

### 7. Pause

Press the pause button to pause or continue massage.

### 8. Relax

Press this button to activate the air bag massage feature. It is a wonderful compression for gentle relaxation and loosening of muscle tension.

### 9. Heat

Press this button to commence the heating function for the lumbar region. A light will indicate that the heating function is in operation. Press the button again to cease the function. With the heating function in operation, and you wish to change the angle of the back rest or leg rest, the heating function will pause and resume automatically once the back rest or leg rest movement is completed.

### 10. Lumbar

Press the lumbar button to start 15 seconds of motion to adjust to user, press again to hold the desired support strength, and press a third time to cancel the support gradually.

Lumbar mode will stop working if you press the air massage button, and vice versa.

Lumbar mode will continue even when the chair turns off the button, so press the button again or power off to end it. It takes 25 seconds for lumbar mode to end.

### 11. Leg Rest - Restore/Raise

Press and hold this button until the leg rest is at your desired angle. Movement will be stopped once you release the button.

When activating the leg rest, the chair will not allow the use of the back rest restore/raise action, heat, and air massage functions.

### Automatic Timer

The chair is programmed to operate for a period of 15 minutes, after which all functions will stop and the chair will adopt an idle mode in its current position. Note that the heating function is preset to stay on for one hour. To resume use of the chair after this period, simply press your desired function button to continue.



## MAINTENANCE PROCEDURE

### WARNING

Be sure to disconnect the power cord from the outlet prior to maintenance.

### NOTE

Do not use benzene, alcohol, alkaline detergent or bleaching agent for cleaning, as this may result in deformation, discoloration or cracking.

### HEAD REST, BACK PAD, SEAT COVER, ARM REST, LEG REST, PILLOW(LEATHER)

Perform daily maintenance by wiping with a soft dry cloth. When parts are badly soiled, adopt the following maintenance procedure.

1. Soak a soft cloth in diluted neutral kitchen detergent and squeeze it well. Clean the main unit with the damp cloth in a tapping motion.
2. Soak a cloth in clean water, and squeeze it well. Wipe of the remaining detergent with the damp cloth.
3. Wipe it with a dry cloth afterwards.
  - Do not force-dry with a drier.
  - Do not force contact with vinyl products for an extended period. It may cause discoloration.

### NOTES

- Leather is a natural material, so imperfect grain, dye variation and natural markings do not constitute as a defect.
- Polyurethane foam padding tends to soften and light creases may form on the leather cover over a period of three months. These are natural occurrences and do not require any type of maintenance.
- A professional cleaner should be contacted for particular types of stains such as ink marks.

## TROUBLESHOOTING

### WARNING

If the trouble still persists after following the proper countermeasures, stop using the chair to avoid possible accidents. Disconnect the power cord from the outlet and contact the customer service department. Do not attempt to repair the chair, instead contact a certified technician.

Type of Troubles	Check points	Countermeasures
<b>Operation failure</b>	Check that the power cord is securely plugged into the outlet	Push the power cord into the outlet securely
	Check that the power adaptor is well connected to the chair	Completely connect the DC terminals between the chair and power adaptor
<b>The chair stops in the middle of operation</b>	This phenomenon is caused by the timer ending but is not a problem	
<b>Impossible to recline Impossible to raise or lower the leg rest</b>	Check that there is not obstruction	Remove the obstruction

If you continue to have problems, please read the warranty card and contact the service department.