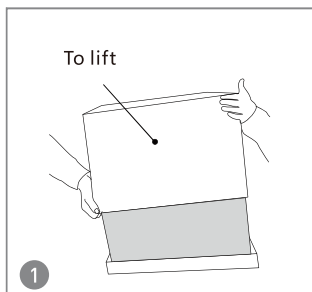


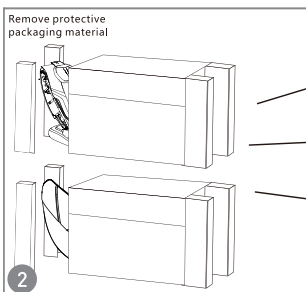
# Installation step

## Remove the package and take out the chair parts



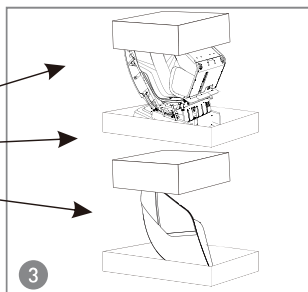
1

Take out the carton



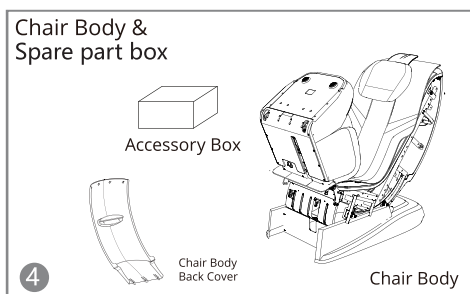
2

Take out packing materials

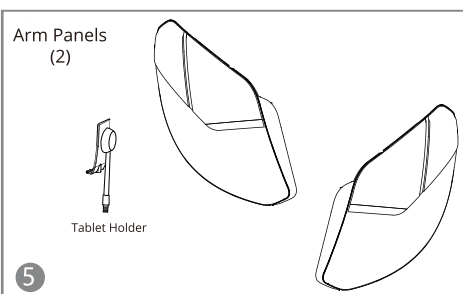


3

Remove all parts, including the parts list below






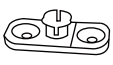



4

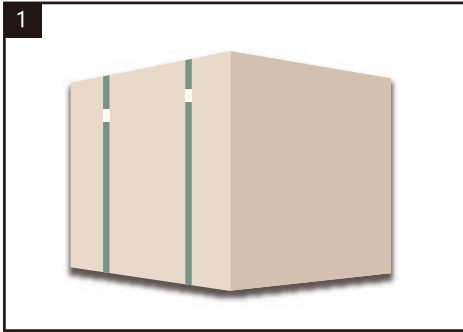


5

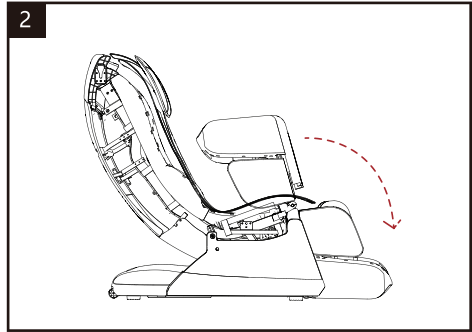
## Massage chair spare parts list

Name	Quantity	Picture	Name	Quantity	Picture
Power cord	1		Cross point screwdriver	1	
M8 Allen key	1		Manual	1	
Remote	1		Male buckle	4	
DK gear card	2				

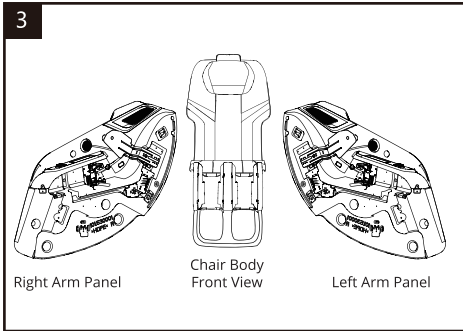
# Installation step



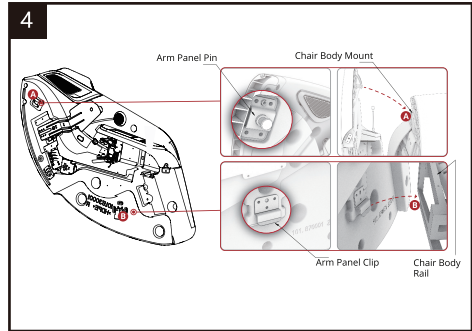
Our chair is shipped in two boxes



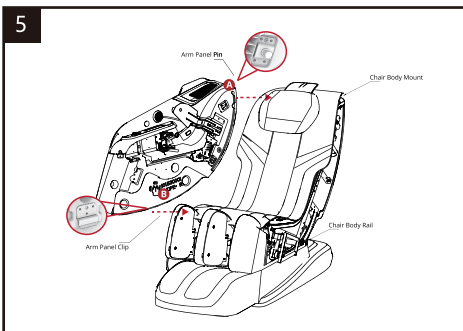
Take out the chair body and fold the footrest down to its original position.



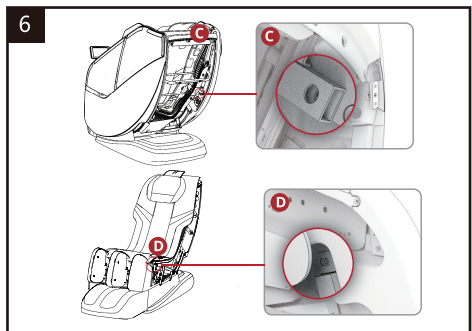
Put the left & right arm panel on the correct side of the chair.



Site A-Arm panel pin slides into chair body mount & site B-Arm panel clip onto chair body rail.

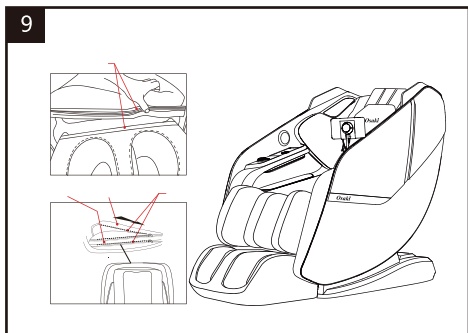


Start with the right arm panel, align the pin with the body mount (Site A) and push down into place Pivot the clip down onto the body rail (Site B).

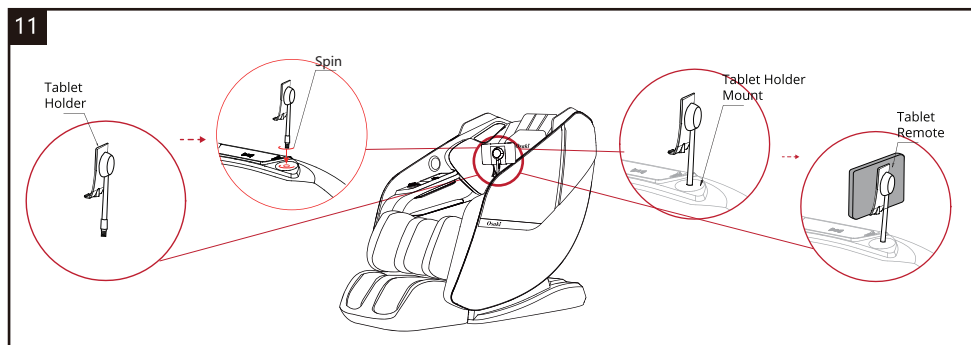
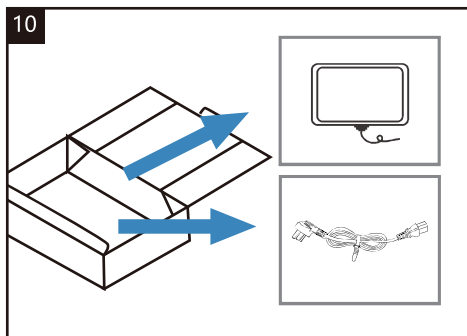


Use related tools to fasten bolt onto chair at Site C, same operation at site D, then repeat steps 5 & 6 with left arm panel.

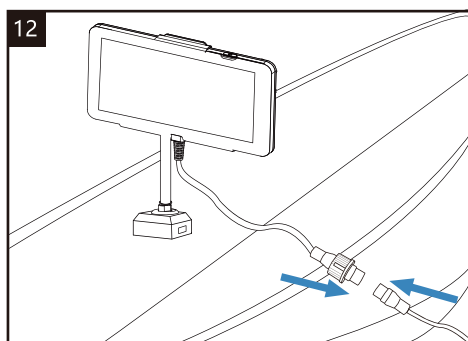
## Installation step



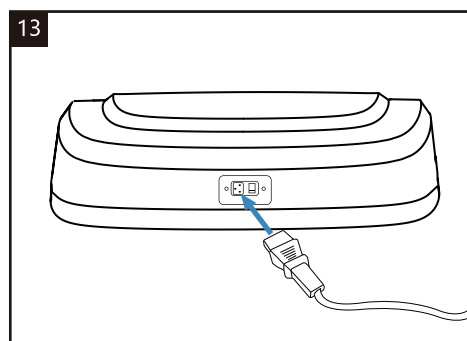
Zipper the seat cushion to the chair body in 4 places: 2 sides of the seat cushion & 2 front of the seat cushion.



Place the tablet holder onto the tablet holder mount, then screw into place to secure, put the tablet remote into the tablet holder.

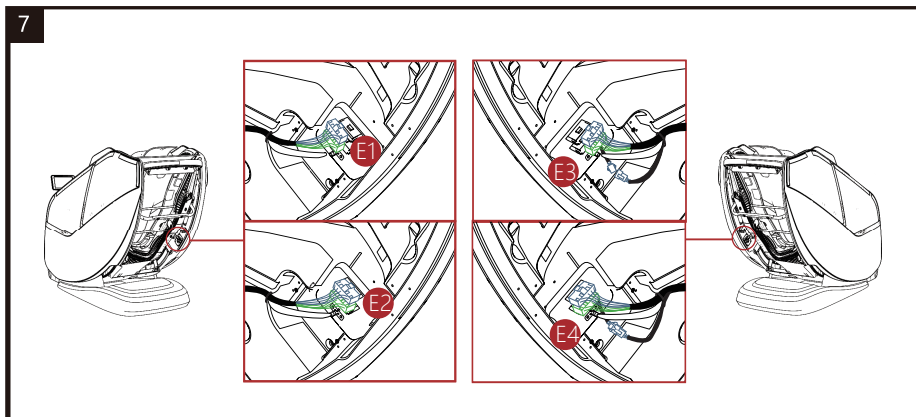


Open the box to take out the remote control pad then connect it.



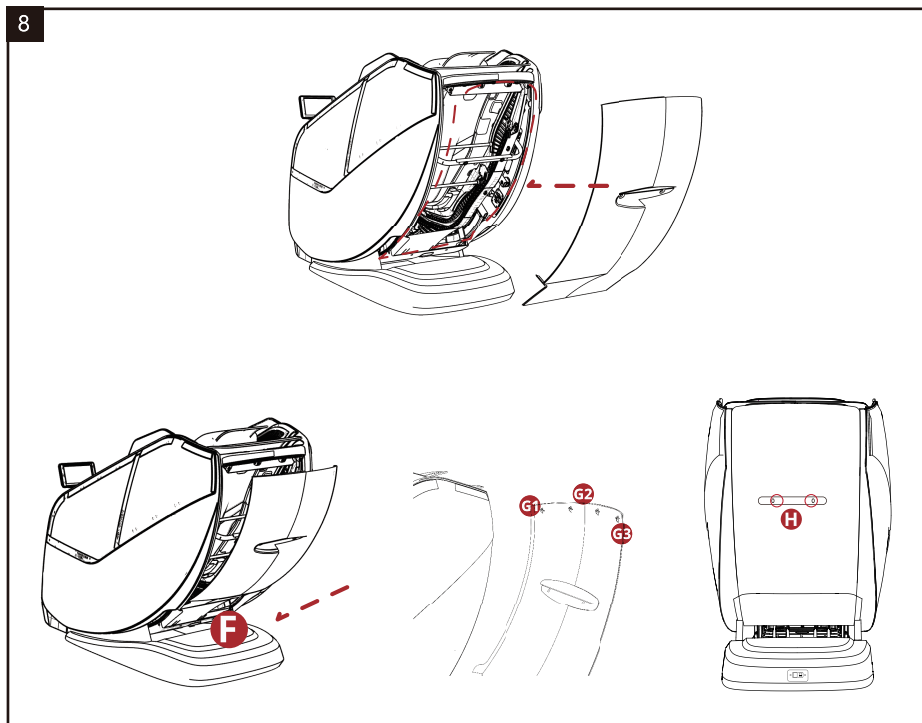
Connect the chair power cord to a ground-ed 110V outlet and turn on the main power switch.

## Installation step



Plug the electrical plug of the right armrest and the air hose into the E1 port. E2 is fully connected.

Plug the electrical plug, air hose and voice cable connector of the left armrest into port E3, E4 is fully connected.



Firmly push the back cover at site G1, G2 & G3 to make sure it's attached. Then attach the small screw in site H.